

Features

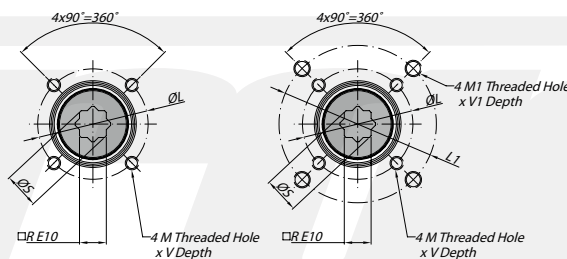
Mounting of solenoid valves	Namur Std.
Mounting of devices	NAMUR VDI/VDE 3845 Std.
Coupling according to	ISO 5211 and DIN 3337
Marking	Ex II 2 G Dc LCIE 05 AR 022
Certificates	ISO 9001 / SIL 3

Materials

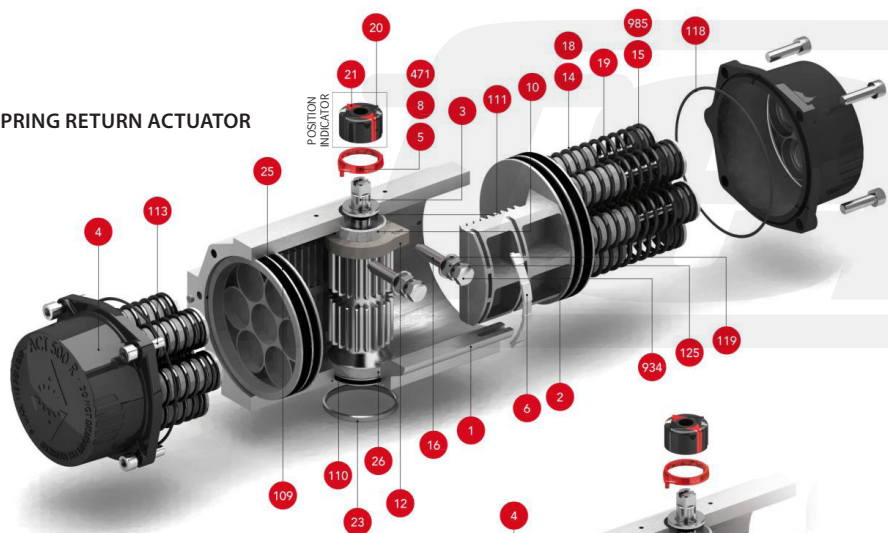
1 Body	Aluminium hard anodized
2 Piston	Aluminium
3 Pinion	Nickel plated carbon steel
4 End caps	Aluminium epoxy coated
5 Soft piston washer	Polyamide PA 6,6
6 Slide piston	Polyamide PA 6,6 + 30% G.F.
8 Pinion washer	Stainless steel
10 Upper pinion bearing	Polyamide PA 6,6
12 Stop	ASTM A 105
14 (*) Springs long support	Polyamide PA 6,6
15 (*) Springs short support	Polyamide PA 6,6
16 Leveling screw	Stainless steel
18 (*) Bolt	Stainless steel
19 (*) Spring	DIN 2076 - D-5,6
20 Position indicator	Polyamide
21 Cam	Polyamide
23 Centering ring	Nickel plated carbon steel
24 Plug air stop	NBR
25 Slide guide	Polyamide PA 6,6 + 30% G.F.
26 Lower pinion bearing	Polyamide PA 6,6
109 O-ring	NBR
110 O-ring	NBR
111 O-ring	NBR
113 Bolt	Stainless steel
118 O-ring	NBR
119 O-ring	NBR
125 Washer	Stainless steel
913 Set screw	Stainless steel
471 External circlip	Stainless steel
934 Nut	Stainless steel
985 (*) Nut	Stainless steel

(*) Only for series SR

ISO 5211 DETAIL



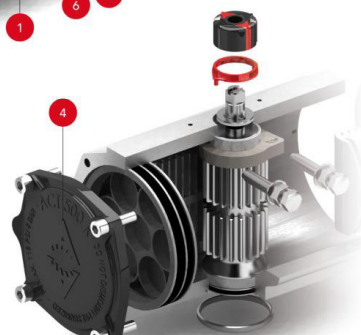
SPRING RETURN ACTUATOR



POSITION INDICATOR



DOUBLE ACTING ACTUATOR



Dimensions [mm]

A	A'	B	C	D	E	F	I	R	ØS	ISO 5211	ØL	MxV	ISO 5211	ØL1	M1xV1	ØT	X	U
163	145	96	76	48	34	9	12,5	9	12,5	F03	36	M5x8	F05	50	M6x10	25	2	10
163	145	96	76	48	34	9	12,5	14	18,1	F05	50	M6x10	-	-	-	35	3	12
163	145	96	76	48	34	9	12,5	14	18,1	F04	42	M5x10	-	-	-	35	3	12

Max. pressure	Rotation	Screw stroke adjustment	Chamber Ø (mm)	Air volume (L)		Stroke Time, Sec. (A)		Operating Temperature (°C)		
				Opening	Closing	Opening	Closing	STD (std.)	HT (high temp.)	LT (low temp.)
8 bar	90° ± 5°	for 1° need 1/4 turn	45	0,13	0,09	D 0,04	D 0,09	NBR O-ring	FPM O-ring	Silicone O-ring
						S 0,12	S 0,18	-30°...+100°C	-15°...+150°C	-40°...+80°C

DA double acting actuator torque output in [Nm]

Type	3 bar		3,5 bar		4 bar		4,5 bar		5 bar		5,5 bar		6 bar		6,5 bar		7 bar		8 bar		Weight [kg]
	0°	90°	0°	90°	0°	90°	0°	90°	0°	90°	0°	90°	0°	90°	0°	90°	0°	90°	0°	90°	
D	9,7		11,4		13		14,6		16,2		17,8		19,5		21,1		23		26		1,4

SR spring return actuator torque output in [Nm]

Type	3 bar		3,5 bar		4 bar		4,5 bar		5 bar		5,5 bar		6 bar		6,5 bar		7 bar		8 bar		Spring stroke	Weight [kg]
	0°	90°	0°	90°	0°	90°	0°	90°	0°	90°	0°	90°	0°	90°	0°	90°	0°	90°	0°	90°		
S04			8	5	9	7	11	8	13	10	14	12	16	13	17	15	19	17	22	20	4	7
S06**									11	7	12	9	14	10	15	12	17	13	20	17	7	11
S08											10	5	12	7	14	9	15	10	18	14	9	15

** Standard construction