

J4CS55

Description

Compact actuator to control or regulate valves.
 Brushless motor technology.
 With a preset working angle of 90°.
 Connection according to ISO5211/DIN3337.

Equipped in standard with:

- Emergency override with handwheel
- 2 additional volt free end switches
- Electronic torque limiter
- Automatic interior heater
- Coloured status LED
- Dome position indicator
- Freely adjustable cams (max. 340°)
- Standard 2 point control, 3 point regulation

Technical data

Voltage range:

Current consumption: 0,21 A - 1,98 A

Working time/90°: 13 s ± 10%

Heater:

Break torque: 60 Nm

Operation torque: 55 Nm

Duty rating [ED]:

Protection class:

Temperature range:

Flange: F05/F07

Stem intake: ⌀ 14 mm, 17 mm (Standard)
 □ 11x16,5 mm, 17x22,5 mm

Plugs: EN175301-803 Form A
 Industrial connector form C (9,4mm)

Housing material:

Endswitches:

Weight: 2,4 kg



Options

BSR (Battery safety pack)

In case of a power failure, the actuator turns to a predefined safety position (open or close).

Variations: NC, NO

-Combination with: DPS, 3 Positions, Potentiometer, Permanent phase-

DPS (Digital positioning system)

The position of the actuator is controlled by an input signal and provides its actual position as an output signal.

Following signal types are available:
 0-10V, 1-10V, 0-20mA, 4-20mA

3 Positions

The actuator has the possibility to drive to a middle position.

Standard: 0°-90°-180°

Permanent phase wiring

The actuator has a permanent power connection and automatically turns to the predetermined position. When the other contact is powered, the actuator turns to the opposite direction.

Variations: NC, NO

Potentiometer

A Potentiometer inside of the actuator gives out its actual position as an ohmic value.

Variations: 1kΩ, 5kΩ, 10kΩ

B-Series (12V version)

The actuator is controlled by a voltage of 12V AC/DC.

-Combination with all options possible-

Bluetooth

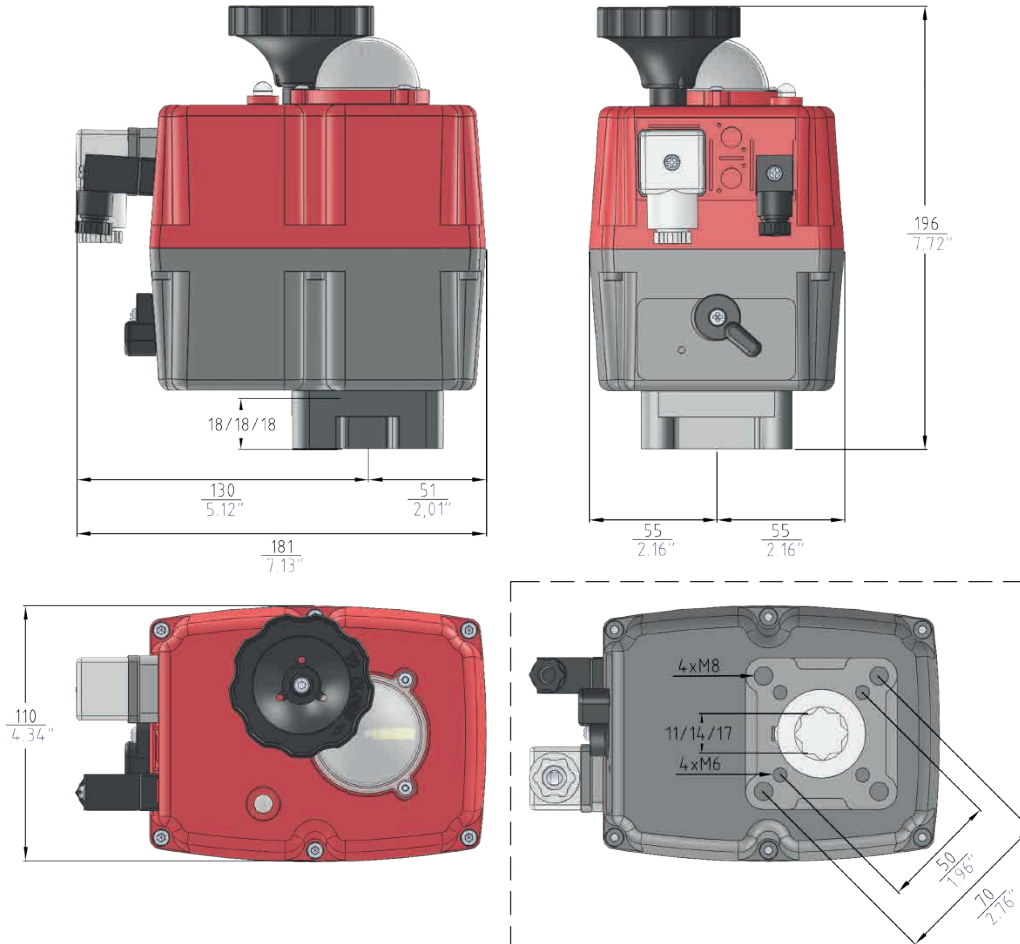
A Bluetooth module gives the possibility to control and read out via Bluetooth.

Modbus

A Modbus module gives the possibility to control and read out the actuator via Modbus.

J4CS55

Technical drawing



Wiring diagram

